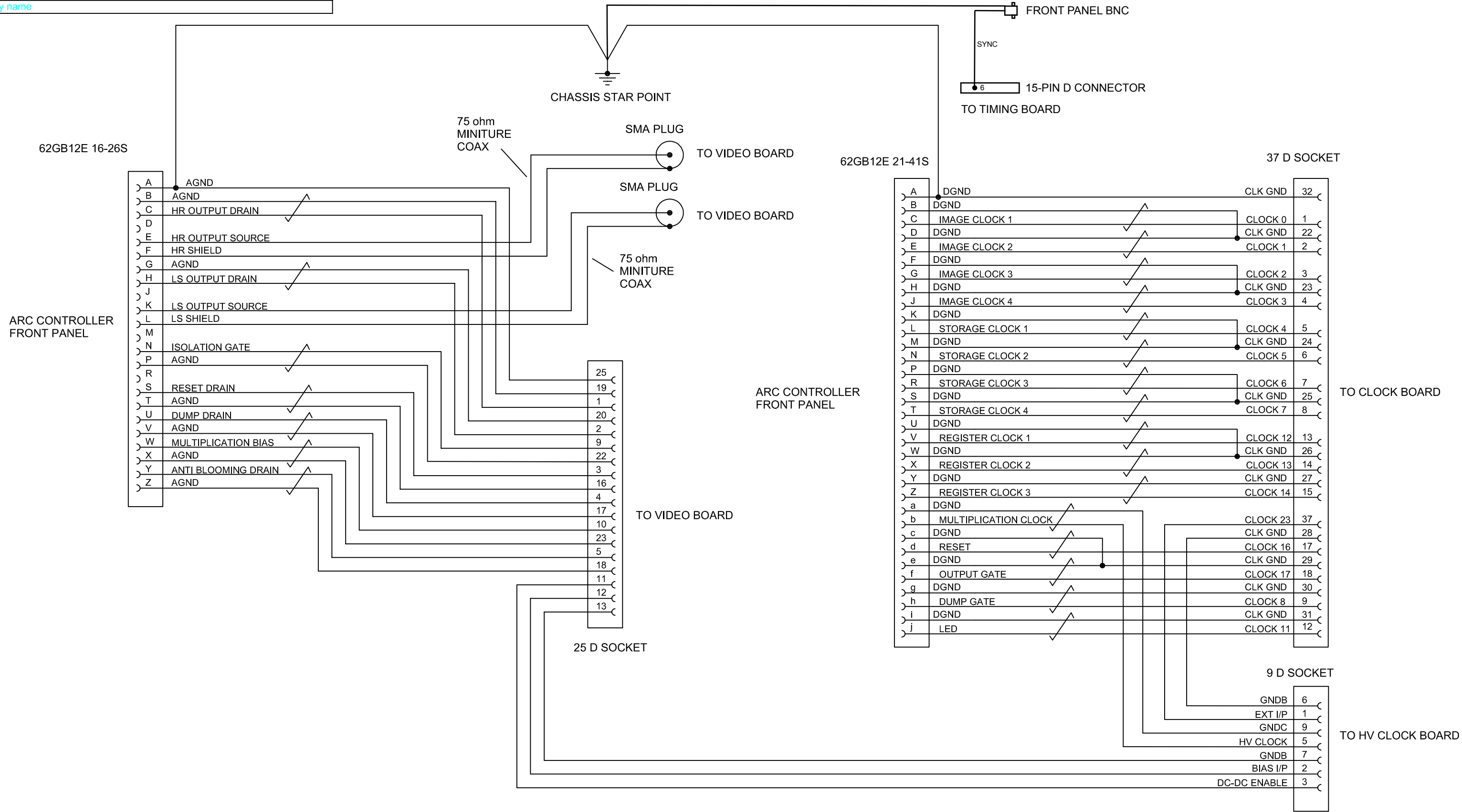
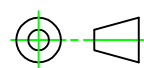


Used in assy drawing no.
 Assy name



THIRD ANGLE PROJECTION DIMENSIONS IN MM				UKATC Royal Observatory Blackford Hill Edinburgh EH9 3HJ	
Last Mod.					
Drawing No. USPEC_08					
Material				Weight	Kg
Finish		App'd DATE - WHO		Issue	
Tolerances		Mod'd DATE - WHO		A	
		Drawn 31-10-13 BW			
Title		Sheet 1 of 1		Instrument Part no.	
ARC CONTROLLER WIRING		ULTRA SPEC			